

Magnescale

SPEED X PRECISION

NEW

Digital Gauge DS800S Series



Easy connection to a PC or powered USB hub, and measurement software is available on our website.

High resistance to shock and vibration, with a low-friction spindle design.

Perfect for in-process or post-process inspection, even in harsh environments.

Magnescale Co., Ltd.

Specifications

Model name	DS805S□□R / DS812S□□R	DS805S□□R5 / DS812S□□R5
Measuring range	DS805S : 5 mm	DS812S : 12 mm
Resolution	0.1 μm	0.5 μm
Accuracy (at 20°C)	1 μm	1.5 μm
Measuring force (at 20°C)	Upward	DS805S : 0.35 ± 0.25 N DS812S : 0.40 ± 0.3 N ^{*1} DS812SVR/DS812SVR5 : 0.60 ± 0.5 N ^{*2}
	Horizontal	DS805S : 0.40 ± 0.25 N DS812S : 0.50 ± 0.3 N ^{*1} DS812SVR/DS812SVR5 : 0.70 ± 0.5 N ^{*2}
	Downward	DS805S : 0.45 ± 0.25 N DS812S : 0.60 ± 0.3 N ^{*1} DS812SVR/DS812SVR5 : 0.80 ± 0.5 N ^{*2}
Reference point	Position at spindle movement of 1 mm	
Protection grade (not including cable and interpolation box)	IP67	
Vibration resistance	100 m/s ² (20Hz to 2kHz)	
Impact resistance	1,000 m/s ² (11 ms)	
Operating temperature	0 to 50°C (No condensation)	
Storage temperature	-20 to 60°C (90%RH or less)	
Power supply	5 VDC ± 5%	
Power consumption	120 mA Max.	
Mass (Probe)	Approximately 30g	
Cable length	Gauge⇔Interpolator : 2 m	Interpolator⇔USB : 0.5 m
Feeler	Carbide ball tip, mounting screw M2.5	Steel ball tip, mounting screw M2.5
Accessory	Instruction manual, tightening nut, clamp spanner, wave washer, hose elbow, spanner	
Communication Interface	USB2.0FS	
Recommended system specifications	CPU : Intel Core i3 or higher RAM : 1 GB or more OS : Windows7, Windows10 (32 bit/64 bit)	

*1 Except SVR/SVR5

*2 When air pressure is 0.055 Mpa

Model : DS805S□□R□
name DS812S□□R□

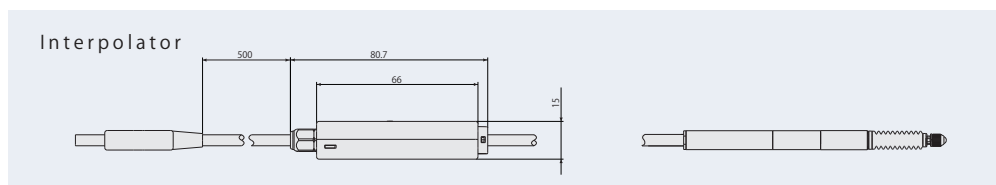
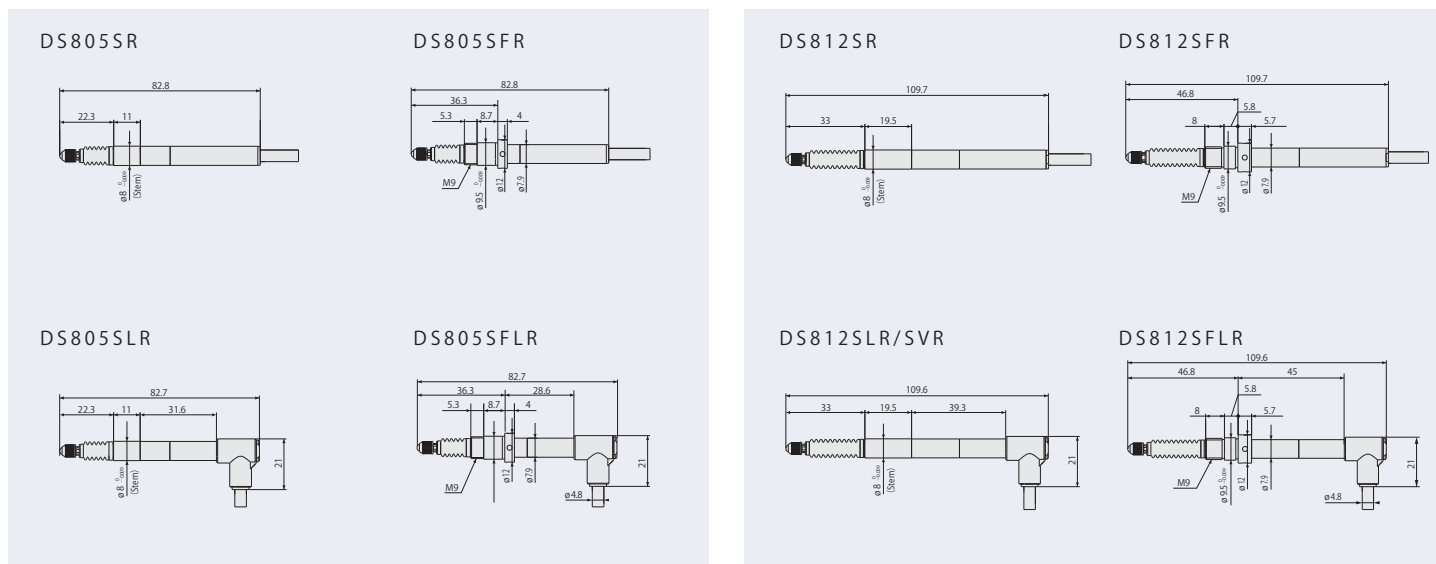
[Resolution / Accuracy]
No symbol : Resolution 0.1 μm
Accuracy 1 μm
5 : Resolution 0.5 μm
Accuracy 1.5 μm

[Structure]
No symbol : Straight
L : Right angle
F : Flange
FL : Flange right angle
V : Pneumatic push (DS812S model only)

[Ball spline model]

[Measuring range]
05 : 5mm
12 : 12mm

Dimensions



△ Safety Precautions : To use this product safely, please read the instruction manual carefully prior to usage. ●Magnescale reserves the right to change product specifications without prior notice.

Magnescale Co., Ltd.

Headquarters : 45 Suzukawa, Isehara-shi, Kanagawa 259-1146, Japan
International Sales Department : 45 Suzukawa, Isehara-shi, Kanagawa 259-1146, Japan
Magnescale Americas Inc. : 1 Technology Drive, Suite F217, Irvine, CA 92618 USA
Magnescale Europe GmbH : Antoniusstrasse 14, 73249 Wernau, Germany
Service & Parts : 45 Suzukawa, Isehara-shi, Kanagawa 259-1146, Japan

TEL.+81 (0)463 92 1011 FAX.+81 (0)463 92 1012
TEL.+81 (0)463 92 7971 FAX.+81 (0)463 92 7978
TEL.+1 (949)727 4017 FAX.+ 1 (949)727 4047
TEL.+49 (0)7153 934 291 FAX. +49(0)7153 934 299
TEL.+81 (0)463 92 2132 FAX. +81 (0)463 92 3090

<http://www.magnescale.com>

The contents of this literature are as of Apr. 2017